

solo[®]

425 / 475 // 435 / 485 // 473D / 473P

*Instruction manual /
Spare parts list*

Backpack Sprayer



Attention!

Read this instruction manual carefully before first operation and strictly observe the safety regulations! At using the sprayer wear protective **gloves, goggles and breathing protection.**



Congratulations on the purchase of your new SOLO Sprayer. We thank you for your wise choice and are confident that you will be very happy with it.

The use of modern materials in conjunction with SOLO Know-How over many decades guarantee customer satisfaction with millions of SOLO machines in all countries of the world.

In the best interest of continued technological progress we reserve the right to change design and configuration of any product without prior or other notice. Therefore, please note that text and illustrations of this manual are not to be considered binding and do not constitute a basis for legal or other claims.

1. Safety

- Do not operate the sprayer while persons (especially children) or animals are in close vicinity. The operator is responsible for any damage or harm to third parties.
- When using plant protection equipment and while working with plant protection chemicals of any kind, always observe the Safety Precautions prescribed by the chemical manufacturer. The operator is to observe Personal Safety Regulations (Safety Clothing).
- Heavily dilute (approx. 1:10) surplus spray fluid left over after treatment of field or garden, and spray the solution over the area you have already treated.
- After every use and especially after the end of the spraying season, clean and flush the sprayer, tank as well as all parts which come in contact with chemicals.
- Residues of plant protection chemicals may lead to corrosion and damage of the sprayer.
- Clean and service wear parts such as nozzles, filters, gaskets and seals.
- Never clean nozzles with hard objects.
- Any remaining excess spray solution can be heavily diluted (approx. 1:10 ratio) and applied over the already treated area.
- Damaged parts should be replaced without delay. Always use Original Parts.
- Always release all pressure in the tank or spray line before commencing service or maintenance work on the machine.

We recommend the SOLO horticultural equipment cleaner in 500 ml bottles; part no. 49 00 600

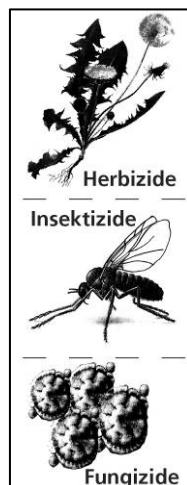
- When removing the spray tube from the machine always point the end of the tube away from yourself.
- For safety reasons, the sprayer should not be used for application of:
 - aggressive liquids (sanitizers, disinfectants and preservatives)
 - liquids above 40 °C temperature
 - flammable liquids with a flashpoint below 55 °C

2. General Information

The SOLO Pressure Sprayer is designed for the application of approved plant protection chemicals in agriculture, horticulture, viticulture and forestry. All Accident Prevention Regulations and all generally recognized Safety Precautions are to be adhered to. Spray solutions other than approved plant protection materials may only be used if any detrimental effect to the machine or harm to persons, animals and environment can be excluded. For the operator and possibly the chemical manufacturer to test the material resistance to certain chemicals, the product manufacturer will provide details of the type of materials used for the Pressure Sprayer. Any unauthorized modification or changes made to the Pressure Sprayer will automatically exclude liability claims against the manufacturer.

3. Check list for completeness

- 1 piece Pressure Sprayer (assembled with Pressure tube and handle)
- 1 piece LX-lever
 - 2 pieces disc 16,5 x 24 x 1
 - 1 piece Screw M8 x 30
 - 1 piece disc 8,4
 - 1 piece nut M8
- 1 piece spray tube (complete assembled)
- 1 piece Tank Lid
- 1 piece Pressure Tank Plug with O-Ring 16 x 3 (not Model 473)
- 1 piece Operators Manual
- 1 piece Hollow Cone Nozzle with Swirl Plate and Gasket
- 1 pc. each symbolic label for container content: herbicide, fungicide and insecticide.



NOTE:

Affix the appropriate label to identify the container content.

PLEASE NOTE:

Never pour different agents at the same time into the container. Before using a different agent, thoroughly clean out the container and all parts in contact with the spray agent, then flush with plenty of water. We recommend the SOLO horticultural equipment cleaner in 500 ml bottles; part no. 49 00 600

4. Assembly

The Sprayer is assembled except for the pump lever which can be attached to either side. (discharge hose and lever grip already fitted) 1-off lever grip (LX lever model). The pressure sprayer is supplied with fittings for assembly of the lever grip (LX lever) preattached on the left-hand side (facing towards the tank inscription). If you prefer the lever grip (LX lever) to be mounted on the opposite side, reposition the safety clips (a) on the r.h. side.



When fitting the LX lever, the retaining tube (b) of the LX lever should be facing upwards and back (facing towards the tank inscription).

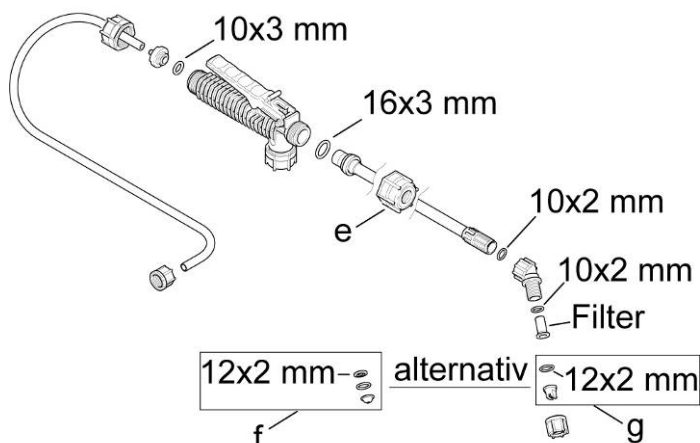
If you prefer the lever grip (LX lever) to be mounted on the opposite side, reposition the safety clips (a) on the r.h. side.

To store the device, raise the pump handle (C) of the LX lever in the retaining tube (b) and suspend the spray tube in both clips (d).

To work the pump handle (c), lower it again in the retaining tube (b).

The spray tube is connected to the shut-off valve by means of screw cap.

5. Correct choice of

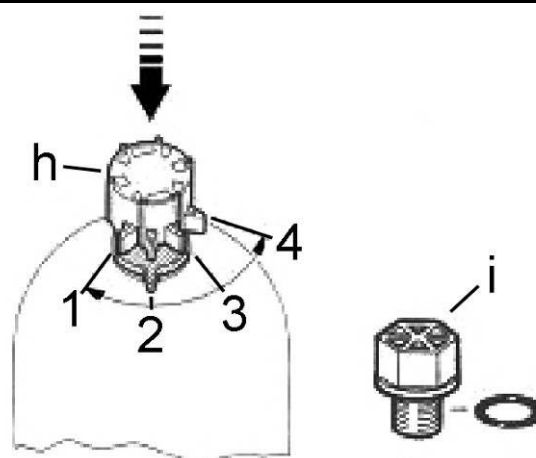


The spray tube is connected to the shut-off valve by means of screw cap (e).

For the treatment of shrubs, bushes and trees (three dimensional distribution) we recommend the use of the hollow cone nozzle (f). For area treatment (two dimensional distribution) we recommend the use of a flat spray nozzle (g).

For the treatment of tall bushes or trees, a brass tree lance (150cm length) is available as an accessory (part no. 49 00528).

6. Pressure adjustment



To regulate the output quantity/ droplet size, the spray pressure can be adjusted in steps from 1-4 bar.

The pressure is adjusted prior to filling the tank by turning the adjuster cap (h) on top of the pressure tank. After any pressure in the pressure tank has been released via the shutoff valve, press down adjuster cap and locate the selected pressure marker tooth over the tooth on the pressure tank.

Should spray pressure in excess of 4 bar be required we recommend to replace the pressure valve with the pressure plug (i) (part no. 42 00 215) which is supplied with the unit. Release any pressure in the pressure tank first before replacing the valve. A spanner width of 24 mm is required.

7. Volume of spray solutions

Prepare spray solution according to the instructions provided by the chemical manufacturer. Prepare only as much solution as is required for the job. Note the environment or water mains network.

Medium Volume Guide for Plant Protection:

- Ground Plants 0.3 - 0.5 ltr. for 10 m²
- Espalier trees, pencil bushes 0.5 - 1.0 ltr. per plant
- Taller bush trees 2.0 ltr. per plant.
- Older, free standing trees 3.0 - 5.0 ltr. per tree
- Small Shrubs 1.0 - 1.5 ltr. for 10 m²

8. Preparing spray solution

Prepare solution outside, never within living areas, stables or a storage area for foodstuff.

Prepare solution with powder chemicals in a separate container. Mix well and then transfer to sprayer tank.

NOTE:

If necessary, the solution can be re-agitated in the tank by stirring with the spray tube.

With liquid plant protection chemicals (if full tank is required), fill sprayer tank 1/4 full with water, add pre-diluted chemical and then add remaining water as required.

When applying organic spray solutions please filter the solution as or before pouring into the spray tank.



Always observe the Safety Notes provided by the chemical manufacturer!

9. Filling

When filling the spray tank always use the filter provided with the machine and observe the total filling process.

Avoid a direct connection between water hose and spray tank.

Spray Chemical may not reach the water mains.

When filling ensure that no spray chemicals will contaminate the environment or water mains network.

Avoid any overflow from the tank and any contamination of public waterways, drainage and water channels.

10. Spraying

Prime the pump with a few up and down strokes of the pump lever. By squeezing the shut-off trigger valve, liquid will be forced through the spray nozzle. When the shut-off trigger valve is released, the spray will stop.

11. Maintenance and care

The SOLO Backpack Sprayer is almost maintenance free. If the tank lid becomes hard to tighten or open, apply all to the lid gasket.

Proper Maintenance also includes:

- Regular check of the spray tank,
- Regular check of spray line and screw connectors,
- Clean all filters and check for any damage,

To protect piston, cylinder and piston collar (models 425/435/ 473P) from impurities in the spray solution, an additional filter is fitted on the inlet side of the pressure tank. This filter can be cleaned by vigorously shaking the tank when flushing it.

With models 425/435/473P: After disassembly of pump components or after replacing the piston collar, use water resistant grease to lubricate the piston and the collar.

In case of unexpected problems please refer to your SOLO Dealer.

12. Storage

Even though the tank is manufactured from UV-stabilized material we recommend that the unit is protected from direct sunlight and stored in a dry room, away from children and animals. In areas subject to frost, always drain all the liquid from tank, pressure tank and hoses. Please always use SOLO Original Replacement Parts available from your SOLO Partner.

13. Technical specifications

Typ		425	435	473P	473D	475	485
Weight empty	kg	ca. 4,3	ca. 4,6	ca. 3,9	ca. 3,9	ca. 4,3	ca. 4,6
Tank capacity	l	15	20	12	12	15	20
Pump system		Piston pump			Diaphragm pump		
Pressure tank volume	l	1,3					
Stroke volume	cm ³	80					
Operating pressure max.	bar	4 ; with pressure plug 6 bar			4		
Dimensions with lever							
Height	mm	520	580	540	540	520	580
width	mm	400	440	360	360	400	440
depth	mm	240	280	220	220	240	280
Hopper mesh width	mm	1,5					
Mesh width of filter screen in spray tubing	mm	0,8					

14. Workshop service, replacement parts and guarantee

Maintenance and repair:

Maintenance and repair of modern motorized devices, as well as their safety-relevant assemblies, require qualified, specialized training and a workshop equipped with special tools and test devices. Thus SOLO recommends that you have a specialized SOLO workshop carry out all work that is not described in these operating instructions. Your SOLO specialist has the required training, experience, and equipment at his disposal to provide you with the most cost-effective solution and can help you in many ways with advice and service.

Replacement parts:

Dependable operation and the safety of your device also depend on the quality of the replacement parts that you use. Use only original SOLO replacement parts. Only original parts come from the production of the device and thus guarantee the highest possible material quality, dimensional accuracy, function, and safety. Original replacement parts and accessory parts are available from your dealer. He also maintains the requisite replacement part lists to determine the required replacement part numbers, and he is constantly provided with information concerning detail improvements and innovations in the replacement part offering. Please note as well that guarantee performances from SOLO are not possible if parts other than SOLO original parts are used.

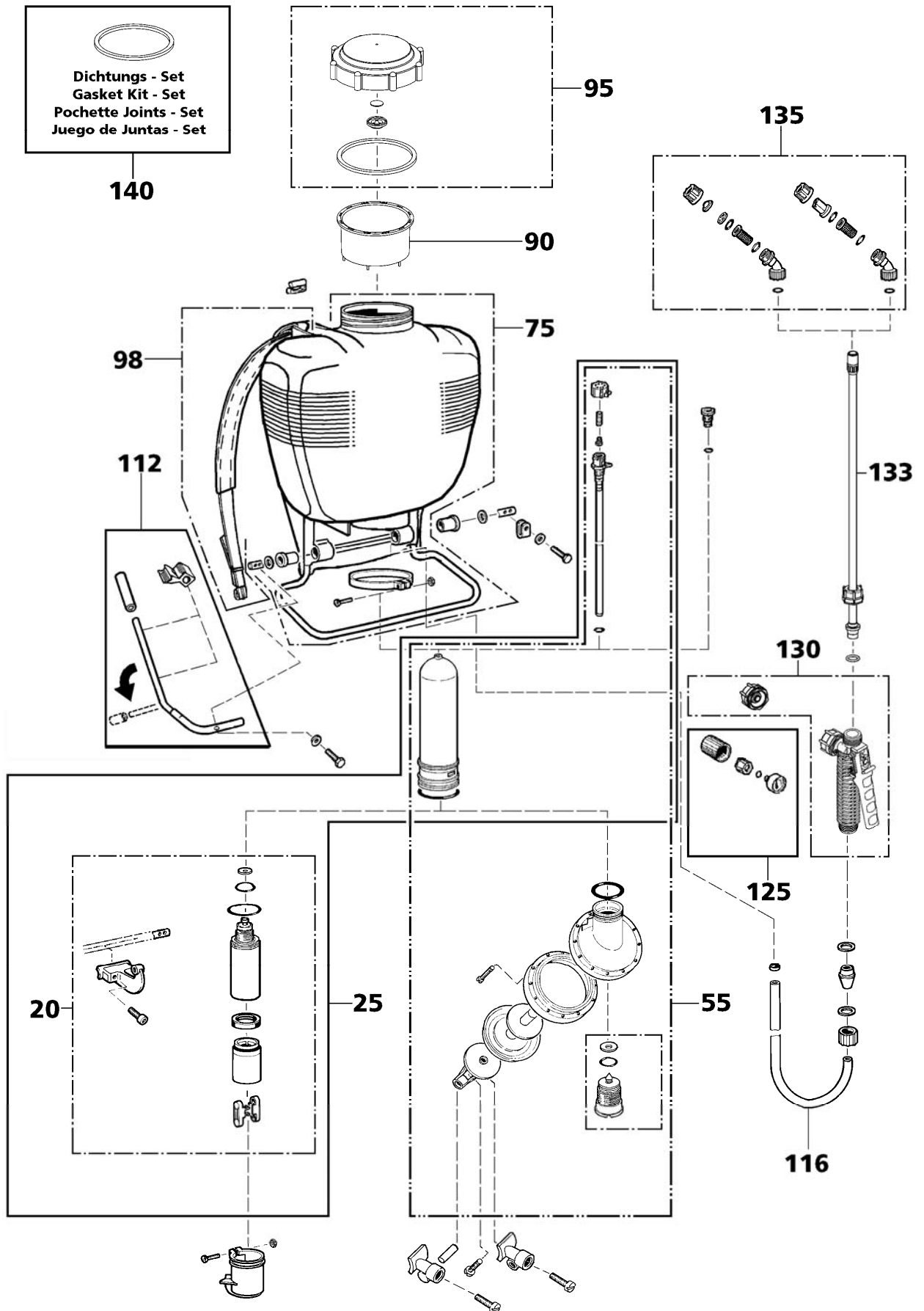
Guarantee:

SOLO guarantees problem-free quality and will assume the costs for defect remediation by replacing the defective parts in the case of material or manufacturing defects that occur within the guarantee period after the date of purchase. Please note that specific guarantee conditions apply in some countries. Ask your sales person if you have any questions. As vendor of the products he is responsible for the guarantee. We request your understanding that no guarantee can be assumed for damages due to the following:

- Non-compliance with the operating instructions.
- Neglecting required maintenance and repair work.
- Normal wear and tear.
- Using non-approved cutting bar and chain lengths in the case.
- Damages caused by overheating due to dirt build up on the ventilator casing.
- Intervention by non-specialized persons, or improper repair attempts.
- Using unsuitable fuel or fuel that has been stored too long.
- Damages that can be traced to implementation conditions from the rental business.


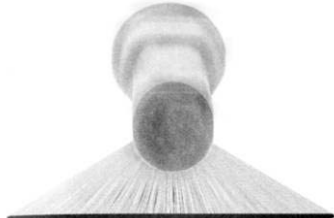
Cleaning, care, and adjustment work are not recognized as guarantee performances. All guarantee work must be carried out by a SOLO dealer.

15. List of spare parts



Pos	Order-No.	Type	Specification
20	44 00 278	425/435/473P	cyli.+piston+connecting
25	44 00 203	425/435/473P	piston pump, compl..
55	44 00 221	475/485/473D	diaphragm pump, compl.
75	42 00 162	425/475	tank-frame, 15 l
75	42 00 201	435/485	tank-frame, 20 l
75	42 00 401	473P/ 473D	tank-frame, 12 ll
90	42 00 166 25		filler basket
95	42 00 242 25		tank lid, (incl.: gasket, vent cap, valve plate)
98	43 00 340		carrying strap, (incl.: plastic hook)
112	48 00 196 25		pump lever, LX, (incl.: grip, clip)
116	00 64 234		Hose 10x3x1300 mm
125	49 00 356	Accessories	pressure gauge
130	49 00 440		shut-off valve set
133	49 00 391		spray tube 500 mm
135	49 00 448	Accessories	nozzle kit incl.: 3 Flat spray Tipp, 3 Hollow cone jet, 2 No-Drift
140	49 00 442	425/435/473P	gasket kit
140	49 00 443	475/485/473D	gasket kit

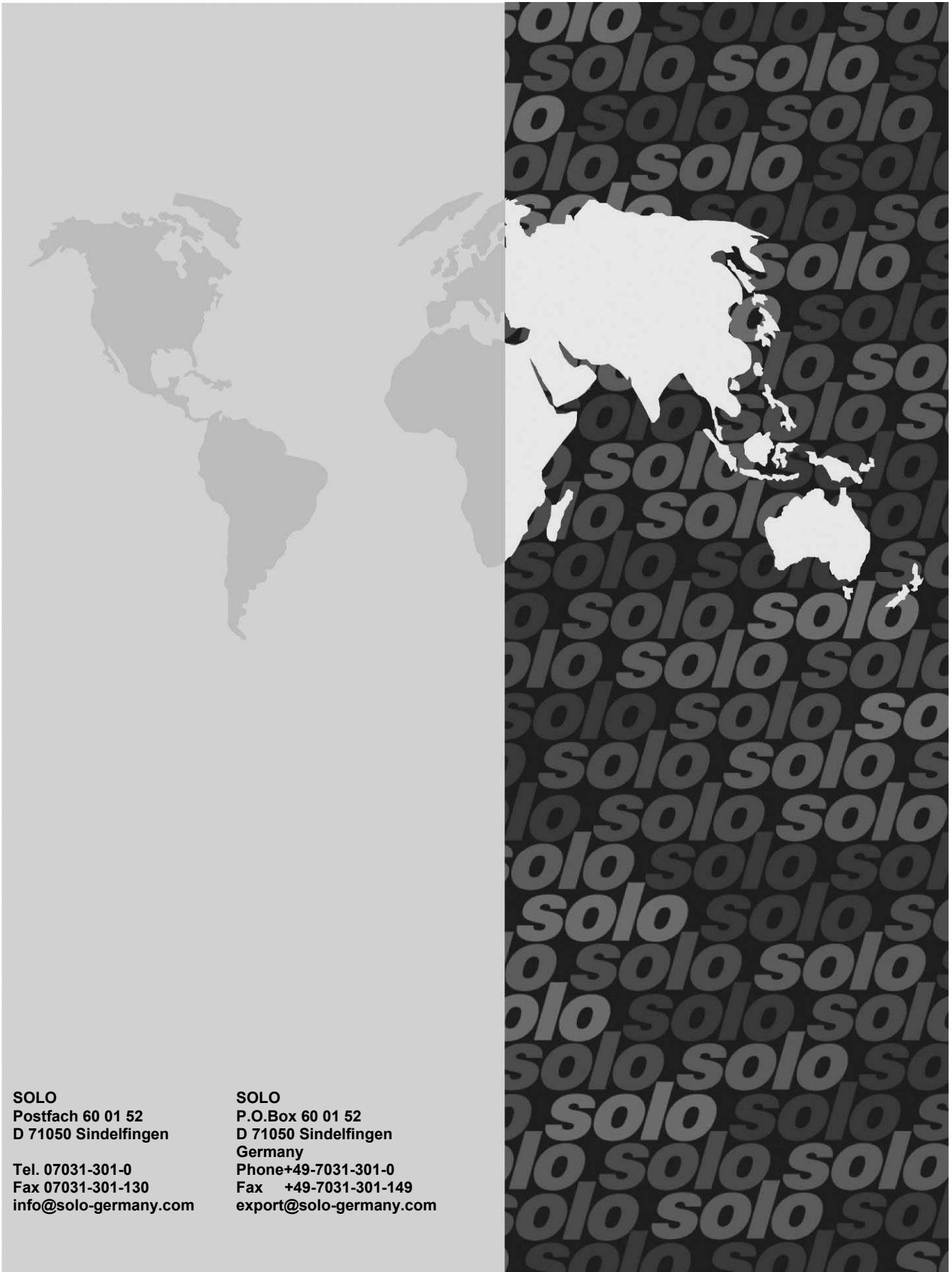
16. Specification of nozzle tips

Specification	Order-No.	Delivery l/min	Pressure bar	Angle	Applications
Hollow Cone Tip 1 mm orifice grey *)	49 00 209	0,4 0,55	1,0 2,0	50° - 70°	For treatment of shrubs, bushes
Hollow Cone Jet 1,4 mm orifice black **)	49 00 252	0,64 0,91 1,11	1,0 2,0 3,0	50° - 70°	
Hollow Cone Jet 1,8mm orifice blue **)	49 00 322	0,88 1,25 1,53	1,0 2,0 3,0	50° - 70°	
No-Drift DT 1,0 yellow **)	40 74 385	0,46 0,65 0,80 0,93	1,0 2,0 3,0 4,0	105°	
No-drift DT 1,0 red **)	40 74 386	0,91 1,29 1,60 1,85	1,0 2,0 3,0 4,0	105°	
Adjustable nozzle brass **)	49 00 206	0,44 - 1,10 0,55 - 1,45 0,66 - 1,75 0,75 - 1,95	1,0 2,0 3,0 4,0		
Flat Spray Tip green **)	40 74 504	0,49 0,60 0,69	2,0 3,0 4,0	80°	Areal and row treatment
Flat Spray Tip yellow **)	40 74 501	0,65 0,80 0,92	2,0 3,0 4,0	80°	
Flat Spray Tip red *)	40 74 263	1,31 1,60 1,85	2,0 3,0 4,0	110°	

*) Standard equipment **) Accessories

solo[®]

Made in Germany



SOLO
Postfach 60 01 52
D 71050 Sindelfingen

Tel. 07031-301-0
Fax 07031-301-130
info@solo-germany.com

SOLO
P.O.Box 60 01 52
D 71050 Sindelfingen
Germany
Phone+49-7031-301-0
Fax +49-7031-301-149
export@solo-germany.com