

Cordless ULV machine
GOOD FOG

GOOD - FOG 26

(25.9V 11.6 A)

GOOD - FOG 26LTE

(25.9V 14.5 A)

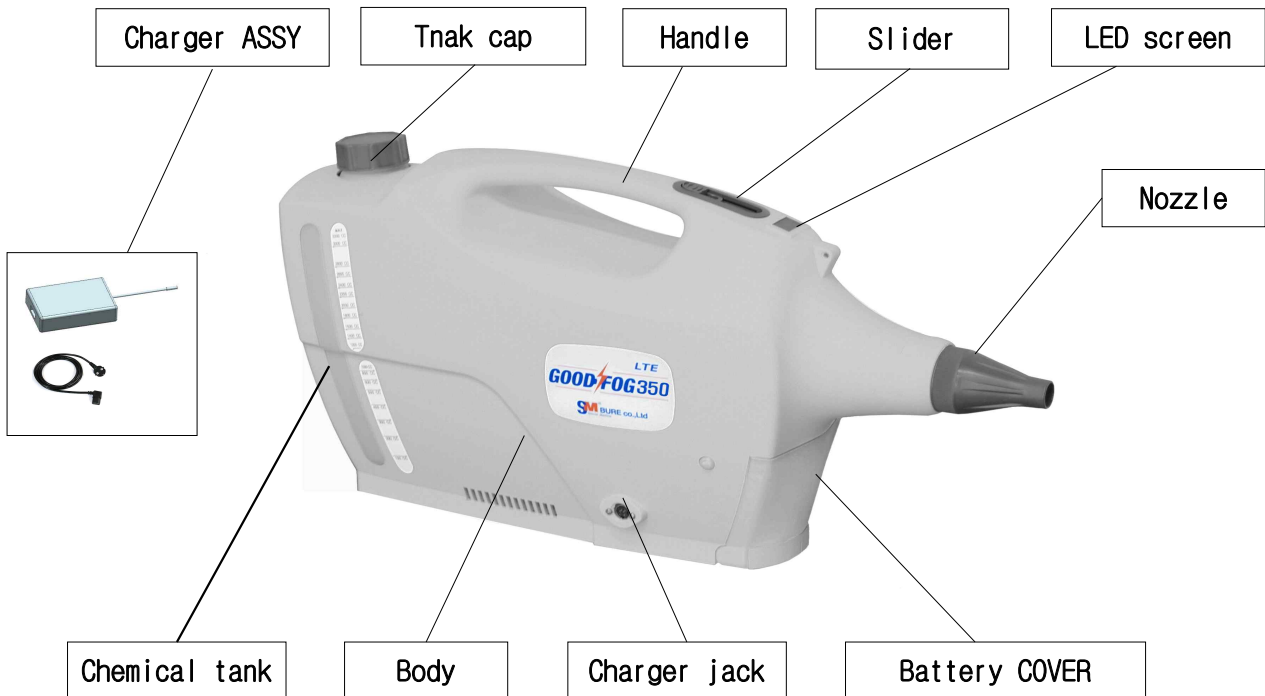
SM BURE CO.,LTD

Product composition and Specification

Components

Body case and chemical tank / Spare Part / manual
/Battery /Battery charger/ Power cords

Part name



Specification

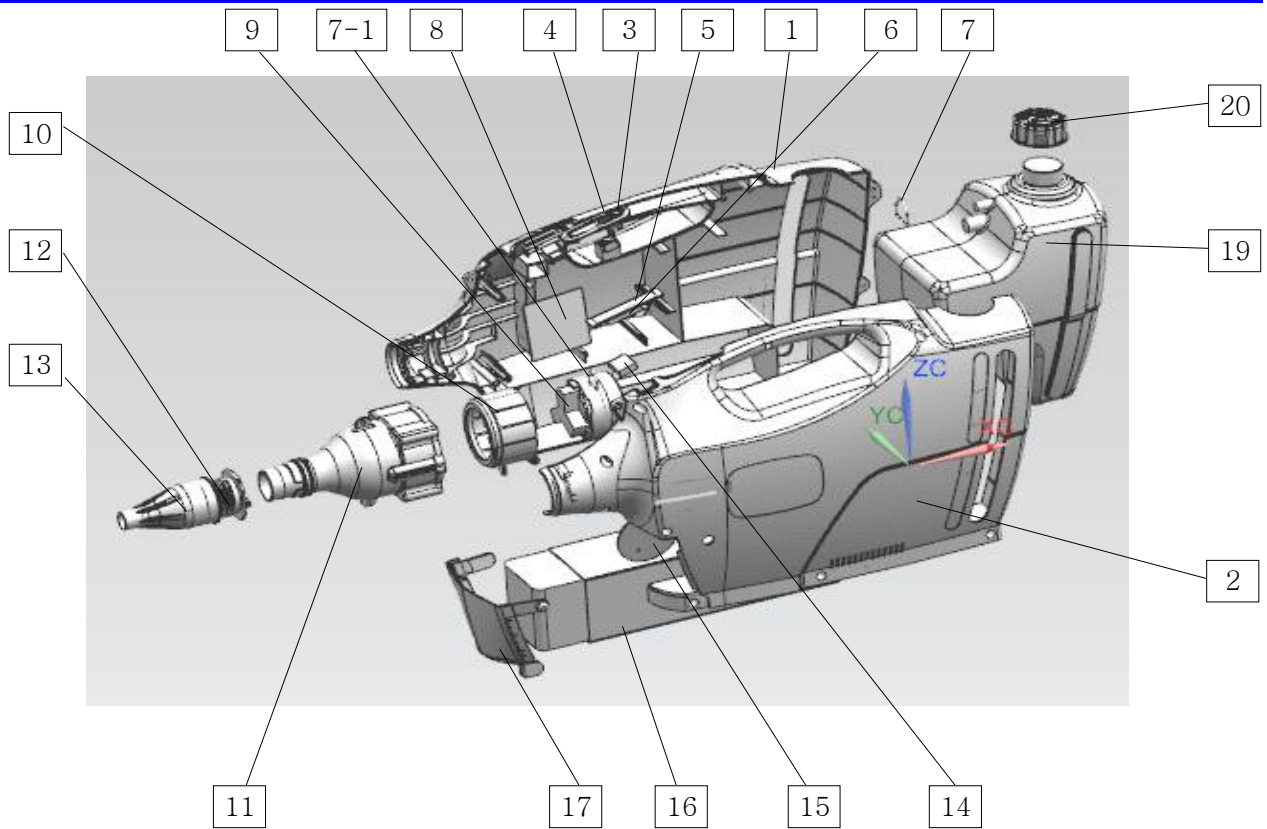
GOOD-FOG 26

ITEM	SPECIFICATION	ITEM	SPECIFICATION	ITEM	SPECIFICATION
MOTOR	DC25.9V/300W	SPRAY/MINUTE	0.14 LT	CHARGER	DC29.4V 3.2A
BATTERY	DC25.9V 11.6 A	SPRAY/HOUR	8.35 LT	CHARGING TIME	3.5 HOURS
	LITHIUM-ION	SPRAY	3.3L / 23 Min	SIZE	583*162*276
WORKING TIME	1 HOUR	SPRAY DISTANCE	5 ~ 7MT	WEIGHT	3.9 KG
TANK CAPACITY	3.2LT / PE	PARTICLE SIZE	10 ~ 30 μ m		

GOOD-FOG 26LTE

ITEM	SPECIFICATION	ITEM	SPECIFICATION	ITEM	SPECIFICATION
MOTOR	DC25.9V/300W	SPRAY/MINUTE	0.14 LT	CHARGER	DC29.4V 3.2A
BATTERY	DC25.9V 14.5 A	SPRAY/HOUR	8.35 LT	CHARGING TIME	약 4.5 시간
	LITHIUM-ION	SPRAY	3.3L / 23 Min	SIZE	583*162*276
WORKING TIME	1.15 HOURS	SPRAY DISTANCE	5 ~ 7MT	WEIGHT	4.2 KG
TANK CAPACITY	3.2LT / PE	PARTICLE SIZE	10 ~ 30 μ m		

PRODUCT COMPOSITION AND PART NUMBERS



NO	PART	CODE-NO	SPEC	수량	A/S	REMARK
1	CASE-L	SM020-001	PP	1	Y	YEL,GRY
2	CASE-R	SM020-002	PP	1	Y	BLUE
3	Case-slide	SM001-009	PP	1	Y	GOOD-FOG300
4	Slider	SM001-010	pp	1	Y	GOOD-FOG300
5	Slider_plate	SM001-011	pp+pr int	1	Y	GOOD-FOG300
6	Switch-SLIDE	SM020-003	B503	1	Y	GOOD-FOG300
6-1	SWITCH-ASSY	SM020-013	220V/10A	1	Y	GOOD-FOG275
7	RING-REAR	SM020-004	STS304	1	Y	
7-1	RING-FRONT	SM020-005	STS304	1	Y	
8	MAIN-PCB	SM020-006	GOOD-FOG	1	Y	GOOD-FOG300,48
8-1	RELAY-ASSY	SM020-015	DC 24V	1	Y	GOOD-FOG
9	MOTOR	SM020-005	25.9V 275W	1	Y	
9-1	MOTOR	SM020-005-1	25.9V 300W	1	Y	
10	PACKING-MOTOR	SM020-006	PP	1	Y	GOOD-FOG
11	CASE-MOTOR	SM020-007	PP	1	Y	
12	NOZZLE	SM020-008	PP	1	Y	YEL,GRY
13	CAP-NOZZLE	SM020-009	PP	1	Y	BLUE
14	DISPLY-LCD	SM020-010	LCD	1	Y	
15	PCB-MOTOR		25.9V 275W	1	Y	GOOD-FOG
15-1	PCB-MOTOR		25.9V 300W	1	Y	GOOD-FOG300
16	ASSY-BATTERY	SM020-011	25.9V 8.7A	1	Y	GOOD-FOG
16-1		SM020-011-1	25.9V 11.6A	1	Y	GOOD-FOG300
16-2		SM020-011-2	25.9V 14.5A	1	Y	GOOD-FOG300 LTE
17	COVER-BATTERY	SM020-012	PP	1	Y	YEL,GRY,BLUE

Caution and How to use

Caution

Only 28.9V Battery

Comply with **CAUTION** when supplying and mixing medicines.

Wear proper protective gear when using or spraying hazardous chemicals

No personnel is allowed in use unless fully learned of operation methods and safety measures

No insertion of **combustible substances (gasoline, thinner, kerosene, diesel oil, etc)** into medicine case is allowed.

Insertion of combustible substances may cause fire and defects

Keep the product away from fire and shocks

Clean the medicine case with water after use, spray for **30~60 seconds** and store the medicine case.

(Non-compliance may cause blocking and breakage of product due to residual medicines)

Never use or connect the power source with wet hands, or in water. Non-compliance may cause defects of products.

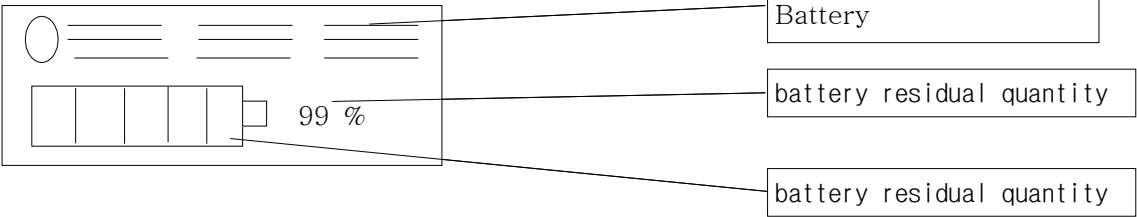
Please make sure to turn off when you check the machine with hands

Check around when you spray chemicals.

Caution and How to use

How to use

Spray and clean

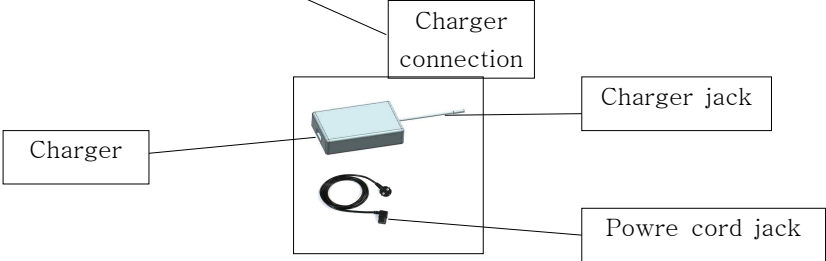


Charging battery

Plesae do not use other charger. Only use Charge which pack with machine.



- 1.To connect charge with charger power cord
- 2.Check Red right is on
- 3.When it works properly, the orange light is on
- 4.When charging is finished, the green light is on



***. To spray on**

To pure chemical and close the tank cap

To turn on the machine by sliding "H"

Check battery residual quantity in LED Screen

To control spray volume by slding "H" and "L "

To spray off

Turn it off by sliding "L"

Take off all chemical in tank (If you do not use them for a long time)

To sraly all by sliding "H" so all chemical is out of machine.

Problem & Measure

Correction measures

Problem	Measure	Remark
The machine is not working even if Control Lever is sliding "H"	<ul style="list-style-type: none"> ◆ Open battery case and check battery is right position ◆ Check LED screen and how many battery percentage left. If there is 0, need to charge it. 	Contact service center if troubles still persist after measures.
Motor working but not spraying	<ul style="list-style-type: none"> ◆ Spinning nozzle right side. ◆ Check if chemical tank is broken (Separate medicine case must be additionally purchased if case is broken) 	Contact service center if troubles still persist after measures.
Pump works but not spray chemical.	<ul style="list-style-type: none"> ◆ Dismantle body of product and check if piping connections are properly connected, and re-assemble after check. ◆ Check if pumping is done with air still being inside the pump (Open tank lid during air suction, and insert compressed air into the medicine tank). ◆ Adjust the voltage control lever of product. 	Contact service center if troubles still persist after measures.
Charging does not 작.	<ul style="list-style-type: none"> ◆ Check charger specification. (DC29.4V) <p>Check if power connection of charger is correctly connected.</p> <ul style="list-style-type: none"> ◆ Check if connection terminal of charger is properly inserted into charging jack of product. ◆ Check if battery and jack connection part are properly connected by disassembling body of product, and if not properly connected, use the product by re-assemble. 	Contact service center if troubles still persist after measures..

Warranty

Warranty

SM BURE CO.,LTD

MODEL	GOOD-FOG			
SERIAL NO	NO:			
DATE OF SALE	20	YEAR	MONTH	DATE
Guarantee	1 YEAR			